

A GLOBAL APPROACH TO SAFETY

The use of the appropriate pneumatic plugs or stoppers is recognized as the safest way to control the flow in gravity sewer lines or perform tests in conduits. Unlike mechanical plugs, they can be positioned and inflated from a safe distance. However, everybody must be aware that there are always potential dangers in plugging live conduits or performing tests, especially air tests, even when using the best inflatable plugs.

We try to lessen the risks by manufacturing stronger and safer plugs, keeping a severe quality control, providing with every plug, the appropriate safety information. The information leaflet provided with every Logiball Securimax & Logiplug, explains how to maintain it, use it safely and also provides a form to record the periodic inspections and tests.

USERS MUST FOLLOW SAFETY MEASURES

- Never let anyone unaware of security instructions use pneumatic plugs. All safety aspects must be known by end users prior to use.
- Never enter a confined space without verifying for harmful gases. The plugging of a live conduit may cause gas formation and accumulation.
- Control the inflation pressure and the back pressure. Always inflate the plug from a safe distance using an extension hose fitted with a pressure gauge, a pressure regulator, a preset safety valve and a shut-off valve.
- Inflate to the recommended pressure. Do not over or under exceed the pressure indicated on the plug & on the information provided with it.
- Inflate in recommended pipe sizes only. Size range is indicated on the end of the plug. Never inflate unconfined.
- Do not rely on friction to withstand a back pressure when important material damages and people's safety are at stake. Secure the plug with proper blocking or restraints.
- Never stand close to an inflated plug without the protection of a bulkhead designed to guarantee the security in the event of a failure or dislodgement of the plug.
- Test the plug, the inflation hose and the controls before each use and keep a record of the tests.
- Refer to the information provided with the plug to supplement this safety measures list.

Logiball^{inc.}

Distributed by:

USA
21 Long Pond Rd
Jackman, ME 04945
Tel.: 800-246-5988
Fax: 418-653-5746

CANADA
440 Papin St.
Quebec, QC G1P 3T9
Tel.: 418-656-9767
Fax: 418-653-5746

www.logiball.com

Printed in Canada 04/09

Logiball^{inc.}

MULTI-SIZE INFLATABLE PLUGS TESTING, BLOCKING, BYPASSING



Made of reinforced rubber for maximum security.

PREFERRED BY CONTRACTORS

www.logiball.com
Tel: 800-246-5988 Fax: 418-653-5746

LOGIPLUGS

MULTISIZE LARGE FLOW-THRU INFLATABLE PLUGS



The LogiPlugs are manufactured on lightweight aluminum mandrels. Steel & stainless steel mandrels are also available. The SBR rubber sleeve is reinforced with two plies of nylon cords. Different elastomers are available for different environments. All plugs must pass a severe pressure test and are shipped with their individual inspection reports and safety information pamphlets.

LOGIPLUG	Flow-thru Size (FPT)	Max. Back Pressure	Inflation Pressure	O.D.	Length	Weight
4-8	2" MPT	5 PSI	45 PSI	3.75"	22"	10 lbs
6-10	2" FPT	5 PSI	35 PSI	5.5"	18.5"	14 lbs
7-12	3" FPT	5 PSI	35 PSI	6.5"	18.5"	16 lbs
7-12M	4" MPT	5 PSI	35 PSI	6"	22.5"	18 lbs
9-16	4" FPT	5 PSI	30 PSI	8"	18.5"	20 lbs
12-18	8" MPT	5 PSI	30 PSI	10"	28"	33 lbs
15-21	6" FPT	5 PSI	25 PSI	14"	24"	65 lbs
18-24	8" FPT	5 PSI	25 PSI	16.5"	28"	75 lbs

NEW



Optional remote placement pole assembly available in 6 foot long pole segments.



Color coded safety inflation systems are available.



Logiplug 7-12M with 4" MPT by-pass



www.logiball.com
Tel.: 418-656-9767 800-246-5988

SLEEVE INSTALLERS FOR SPOT REPAIR

Our long experience in manufacturing pipe plugs has been extremely helpful in designing multisize Sleeve Installers. The custom made Sleeve Installers are the choice of most contractors & municipalities for their point repair systems. Various models are available for CIPP sectional liners & mechanical locking sleeve. They are available in length up to 50' long for diameter from 4" up to 36".



3-6 Flexible-Carrier for installing a sleeve in the cleanout.

Now available to install sectional liners in bends of 4" & 6"

Rigid carriers for mechanical locking sleeve

CUSTOMS MADE PLUGS

Some projects require specialized plugs. We encourage you to contact us with your application.



Medium & High pressure plug



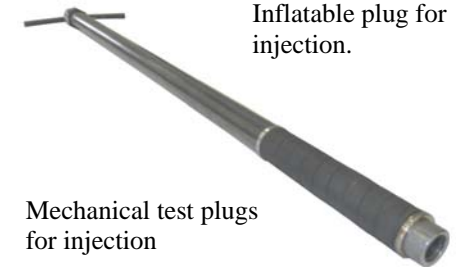
Push-type Test Rig.



Inflatable plug for injection.



Segmental air test kit



Mechanical test plugs for injection

www.logiball.com
Tel.: 418-656-9767 800-246-5988

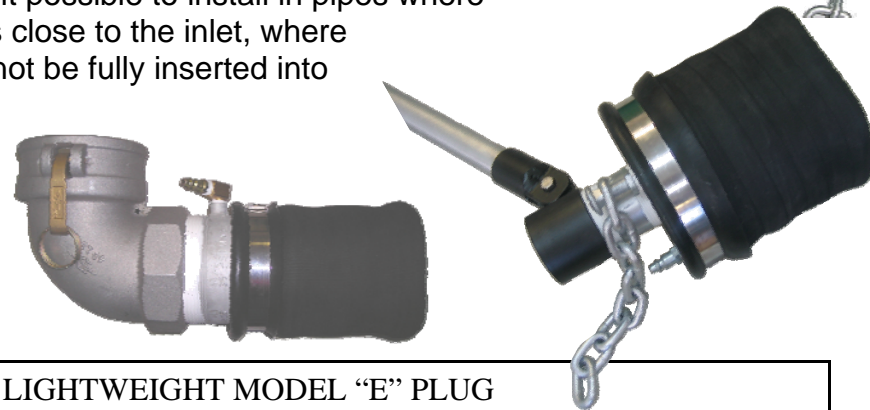
SHORT LIGHTWEIGHT MULTISIZE PLUGS

A must for submerged pipes, where the plugs can be remotely installed from the surface.



Their short lengths make it possible to install in pipes where there are bends or fittings close to the inlet, where other longer plugs could not be fully inserted into the pipe.

Custom made configurations available



LIGHTWEIGHT MODEL "E" PLUG

Product #	Min. Pipe Bore	Max. Pipe Bore	Flow thru	Inflation Pressure	Weight	Length
3-5 E	3"	5"	1/2"	40 p.s.i.	1.5 lbs	5.5"
5-8 E	5"	8"	1/2"	35 p.s.i.	4 lbs	6.5"
6-10 E	6"	10"	2"	35 p.s.i.	7 lbs	7.5"
8-12 E	7.8"	12"	2" or 3"	35 p.s.i.	9 lbs	7.5"
11-16 E	10.8"	16"	2", 3" or 4"	35 p.s.i.	20 lbs	10"

MECHANICAL TEST PLUGS

Stainless steel and steel parts.
Used for low & medium pressure testing.
Available from 2" through 4".



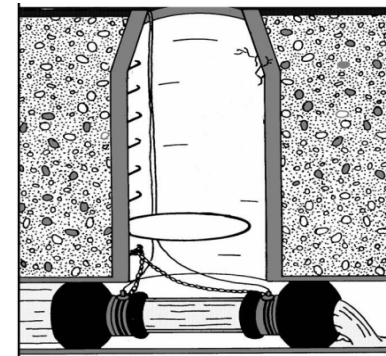
"D" TYPE LOGIBALL PLUG

Large flow-thru double action bladder.



Custom made configurations available

Only one of its multiple uses!



When inflating the plug, the inward bladder seals against the by-pass pipe or the pump suction hose, while the outer bladder seals against the pipe wall. This **SLIP IT ON AND INFLATE** unique feature of the "D" type Logiball will save you time and discomfort. End caps with various connections are available.



SIZE	MINIMUM PIPE BORE	MAXIMUM PIPE BORE	FLOW-THRU OPENING	CONNECTION	WEIGHT
INCHES	INCHES	INCHES	INCHES		LBS
3-5	2.9	5.0	1.25	2.0 inch male quick coupling (Cam type fittings)	4.4
3.5-6	3.4	6.0	1.5	2.5 inch male quick coupling (Cam type fittings)	4.4
5-8	4.9	8.0	3.0	4.0 inch male quick coupling (Cam type fittings)	6.0
6-10	5.8	10.0	4.0	Inward bladder for 4.0 inch A.B.S. Pipe	7.0
8-12	7.8	12.0	5.0	Inward bladder for 5.0 inch P.V.C. pipe	9.0
11-16	10.8	16.0	6.0	Inward bladder for 6.0 inch P.V.C. pipe	18.0
13-18	12.8	18.0	8.0	Inward bladder for 8.0 inch P.V.C. pipe	29.0
15-21	14.7	21.0	10.0	Inward bladder for 10.0 inch P.V.C. pipe	44.0
20-30	18.7	30.0	15.0	Integral rubber sleeve with clamp for a pipe between 15.25 to 15.75 inches O.D.	98.0
24-36	22	36	15.0	Integral rubber sleeve with clamp for a pipe between 17.25 to 17.75 inches O.D.	120.0

www.logiball.com

Tel.: 418-656-9767

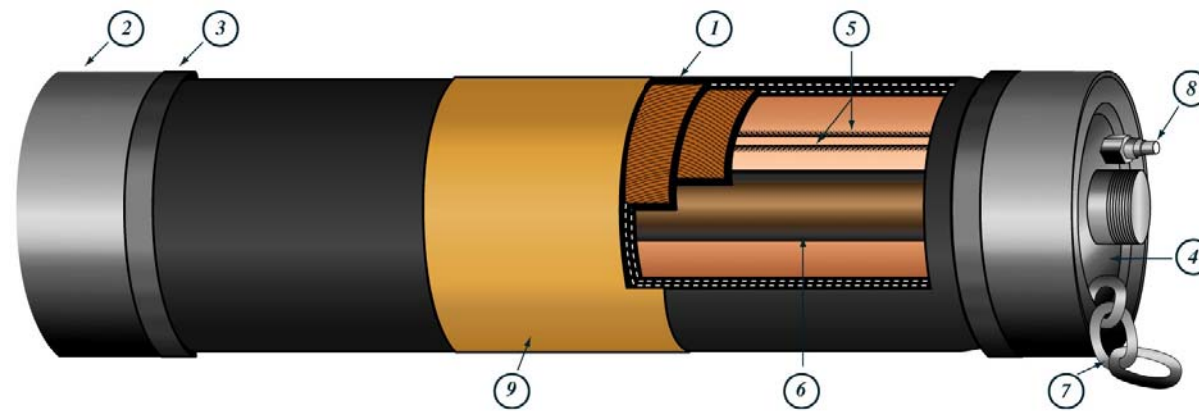
800-246-5988

LOGIBALL™ SECURIMAX PLUGS

The Logiball Securimax inflatable pipe plugs are designed with high safety factors such as a two ply cross-biased reinforced SBR rubber sleeve, anchoring device and end plate retaining device for maximum strength.

These sewer plugs can be used for line acceptance testing, plugging and flow control needs.

Every inflatable plug must pass a severe pressure test and is identified by a serial number. With each Logiball Securimax pipe plug, we supply the test certificate and a leaflet describing the features of the sewer plug and providing information on its safe use.



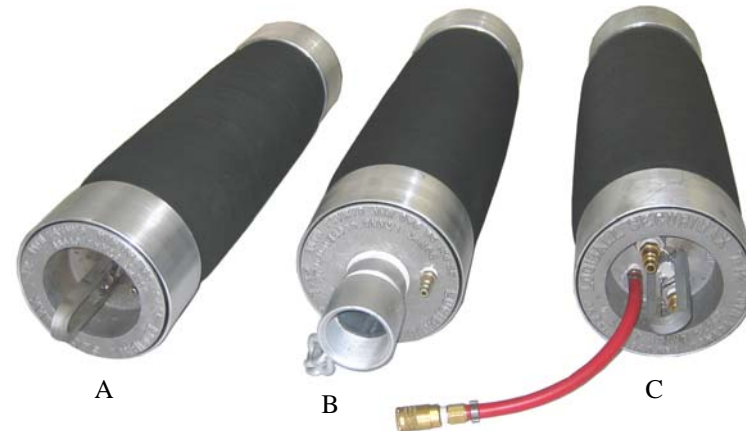
- (1) Ozone resistant SBR rubber* sleeve with two ply cross-biased reinforcing cords. The cross-biased reinforcing cords reduce the risk of splits in defective pipes or at lateral connections. Replacement sleeves are available at a reasonable cost.
- (2) Heat treated aluminum counter rings for sizes up to 13-24, steel for sized 17-30 & 19-36.
- (3) Extra counter rings for larger sizes. The strong steel rings dramatically enhance the capacity of the larger size plugs.
- (4) Cast aluminum end plates.
- (5) End plate safety retaining cables.
- (6) Flow-thru hose (optional heat resistant hose).
- (7) Handling & anchoring device at both ends.
- (8) Inflation port at both ends.
- (9) Soft natural rubber sealing pad (optional).

* Different elastomers are available for specific environments.

Pipe Size (inches)	Inflation Pressure ¹	Diameter (inches)	Weight (lbs)	Length (inches)	Models Available
4-8	45 psi	3.5	6	18.5	B
5-10	45 psi	5.0	15	26	A, B, C
7-12	35 psi	6.6	26	28.5	A, B, C
9-16	35 psi	8.6	37	30	A, B, C
11-21	35 psi	10.75	50	35.5	A, B, C
13-24	35 psi	12.75	66	39	A, B, C
17-30	25 psi	16.6	160	58	A, B, C
19-36	20 psi	18.75	195	64	A, B, C

- Model A: No flow-thru
- Model B: 1/2" flow-thru on the 4-8
2" flow-thru on the 5-10 & up
- Model C: Two 1/2" flow-thru hoses

¹ At these pressures, the plugs will make a tight seal and safely withstand a back pressure of 5 p.s.i. or 12 feet of water in structurally sound and clean pipes.



Color coded safety inflation systems, including air hose, on-off valve, regulator, gauge and safety valve, are available.



LOGIBALL PUSH-TYPE PLUGS



The Push-Type Logiball inflatable plugs are offered with or without flow-thru for pipe 2.25" to 6" in diameter. They can be pushed from the cleanout with a push rod or using a semi-rigid hose to push & inflate.



Product #	By-pass Size		Pipe Size Recommended		Inflation Pressure		Outside Diameter		Weight		Length	
	inches	mm	inches	mm	P.S.I.	KPA	inches	mm	lbs	kg	inches	mm
2.25-4A	n/a	n/a	2.25 to 4	57-100	35	240	2.13	53	3	1.5	14	350
2.5-5A	n/a	n/a	2.5 to 5	63-125	35	240	2.4	60	4	2	11	275
2.5-5B	1/4	6	2.5 to 5	63-125	35	240	2.4	60	4	2	12	300
3-6A	n/a	n/a	3 to 6	75-150	35	240	2.75	70	4	2	15	375
3-6B	1/4	6	3 to 6	75-150	35	240	2.75	70	4	2	15	375

www.logiball.com
Tel.: 418-656-9767 800-246-5988